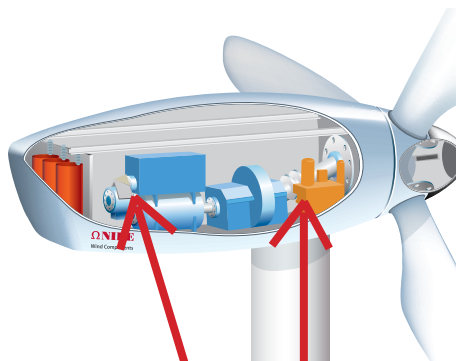




Cabinet Heaters / Anti-Condensation Heaters

– A complete product range from Backer



ACHF - PTC HEATERS WITH FAN

Compact heaters with a fan to be used where additional heating is needed to avoid hot well and protect against frost in sensible equipment. Stored in a couple of standard executions.

- Effects between 80-200 W
- To be fixed with a DIN bar



Get rid of unwanted moisture and hot well

With the cabinet heaters from Backer, being compact, easy to install and fulfill high demands on function and performance, you easily avoid unwanted moisture and hot well in a large amount of applications.

ACH - PTC HEATERS OF TYPE CONVECTOR

Compact heaters for use where low surface loading is demanded and high demands on coating.

The heaters are adapted to customer specification alternatively being developed for assembly in an application. Our sales engineers will gladly help you with the design!



A complete supplier...

...and manufacturer of components and systems for electrical heating and also heat regulation since 1949. Our ambition is to meet and surpass the demands of our customers. Short lead times and personal service are leading stars in our activities. We go from ideas to reality and create heat and value.

>> Examples of applications



Wind mills



Weather stations



Offshore

More Technologies

Technological wideness for the best heat solution

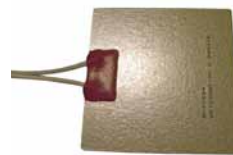
Within the Backer group we manage several different technologies for electrical heating. This great number of technologies together with our experience makes it possible for us that, together with you as our customer, we can find the most optimal solution for your special demand of frost protection and heating to avoid condensation. The solution of your heat demand is only one telephone call away!



HEATING CABLES

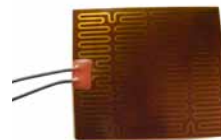
Heating cable is a flexible and cost efficient way to eliminate moisture and hot well problems.

We have different kinds of cables for all possible demands.



HEATING CARPETS

Our easy located, compact foil elements can be constructed and manufactured after your demand. We also have a standard product range in silicone, polyester or mica. They can be glued or vulcanized towards all plain surfaces.



PTC ELEMENTS

PTC elements are used when a self-regulating function and security towards overheating is demanded. We partly have traditional PTC heaters, and partly we use the PTC technology as a regulating function in for instance tubular elements.



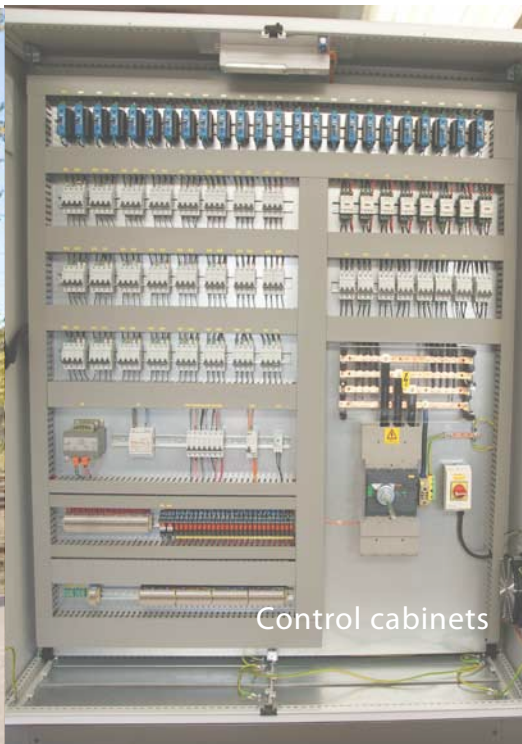
TUBULAR & ALUMINIUM HEATING ELEMENTS

Tubular heating elements can be shaped in own or integrated solutions in customers' designs. We can solve your problem by means of our standard product range, but we also specially manufacture tubular elements in great many applications and materials for your specific demand.

Our heating elements in aluminium are available in I and X profiles, with or without louvers and can be customer adapted after demand.



Information boards



Control cabinets



Fuel pumps

THERMOSTATS / TEMPERATURE REGULATION

To control the temperature in different applications in an efficient way we have a couple of different thermostats.

From the most simple type to more advanced digital regulators.



HYGROSTATS / HUMIDITY CONTROL

To control and regulate moisture we have a couple of different hygrometers. We have a total product range covering all kinds of applications.



ACCESSORIES / POWER SUPPLY

As a complement to the ACHF serie we also have power packs with 24V power supply.

Backer has the solution for your heat demand

Our cabinet heaters and the accessories for control and regulation in standard execution are always available at stock for immediate delivery. We also work with customer adapted solutions and customer projects for which we take responsibility to a wider extent of the deliveries. We look forward to receiving your heating demand and our sales engineers will customize a special solution for you.

We also have the possibility to perform tests and be of help in the process of approval of your application.

For more detailed information about our products we refer to our web page and standard catalogue:

www.backer.se